

Application

- Car radio/TV systems,
- GPS antenna systems,
- Satellite radio systems

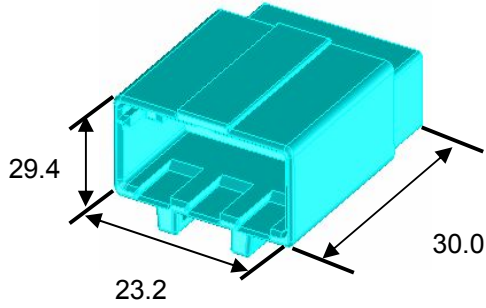
Features

- Discrete wire crimping connection,
- Double-lock mechanism to positive contact retention

Specification

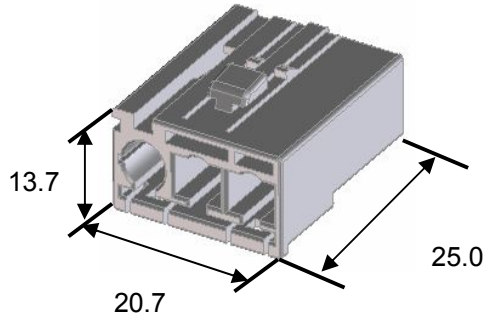
Rated Current	Contact Resistance	Operating Temperature	Withstand Voltage	Insulation Resistance
250V 1A	30mΩ	-30°C ~ +105°C	500V AC / 1min	100MΩ

GT13/16K-2/1PP-HU



Part No	CL No	Material			Color / Finish		
		Housing	Pin	Lock Pin	Housing	Pin	Lock Pin
GT13/16K-2/1PP-HU	CL 6402-0146-1	PBT	-	-	GRAY		
GT13/16K-1/1/1PP-R	CL 6402-0158-0	PBT	-	-	BLACK	-	-

GT13/16K-2/1PP-HU



Part No	CL No	Material			Color / Finish		
		Housing	Pin	Lock Pin	Housing	Pin	Lock Pin
GT13/16K-2/1S-HU	CL 6402-0145-9	PBT	-	-	GRAY		
GT13/16K-2/1S-R	CL 6402-0144-6	PBT	-	-	BLACK	-	-